



INFLIGHT FITNESS

FT1000

Functional Trainer



STANDARD FEATURES

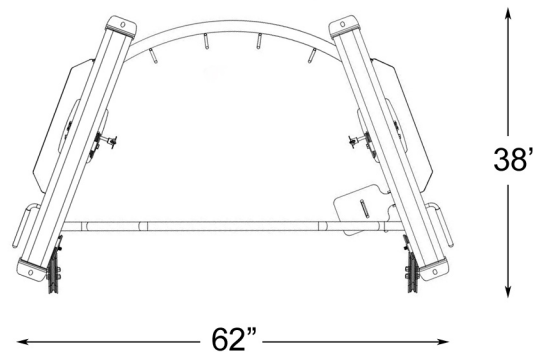
- ✓ Two 150 lb. weight stacks, ten 10 lb. plates, and ten 5lb. plates per stack.
- ✓ 2:1 Cable pull.
- ✓ Integral step to help reach the chin-up bar.
- ✓ 24 Exercise heights to accommodate a wide range of users and exercises.
- ✓ 88" Overall height.
- ✓ Two nylon strap handles standard.

OPTIONAL FEATURES

- ✓ Steel shrouds powder coated and clear coated for a mar resistant and lustrous finish.
- ✓ Weight stacks can be upgraded in 50 lb. increments up to 300 lbs. each.
- ✓ 4:1 Cable pull to provide over 13 feet of travel and lower weight momentum.
- ✓ Five piece accessory kit with aluminum revolving long bar, ankle strap, triceps rope, short revolving straight bar, and functional exercise handle.



Shown with optional accessories



Visit www.inflightfitness.com to see our entire line of exercise equipment.